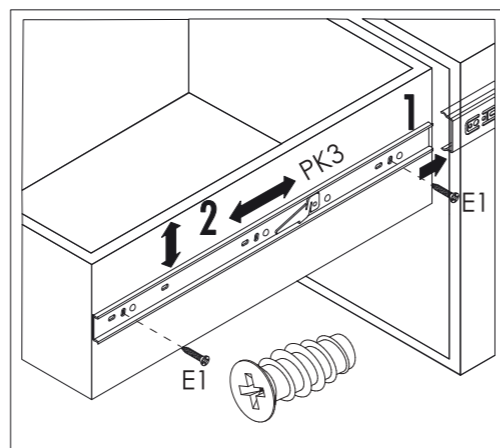
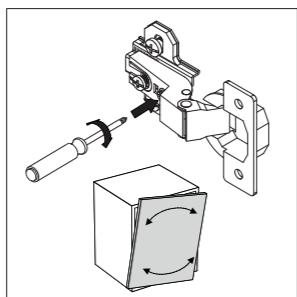
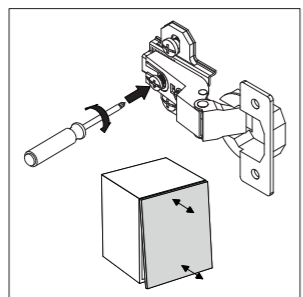
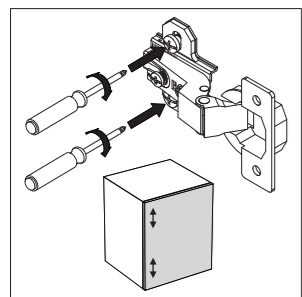
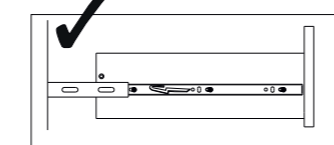
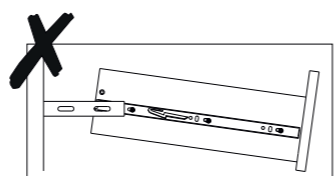
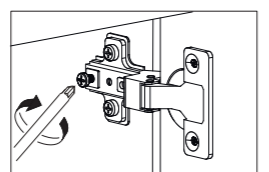
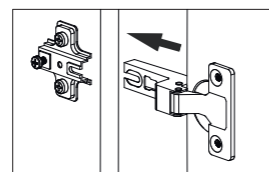
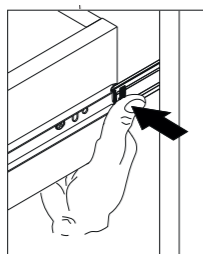
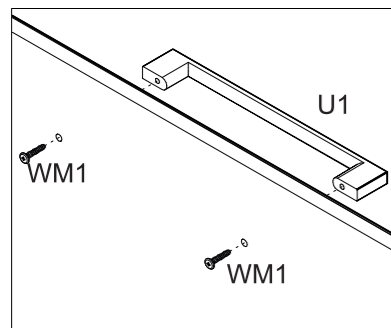
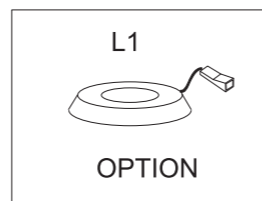
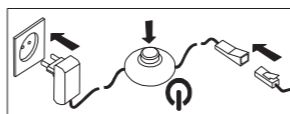
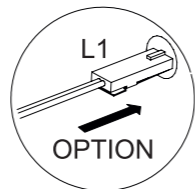
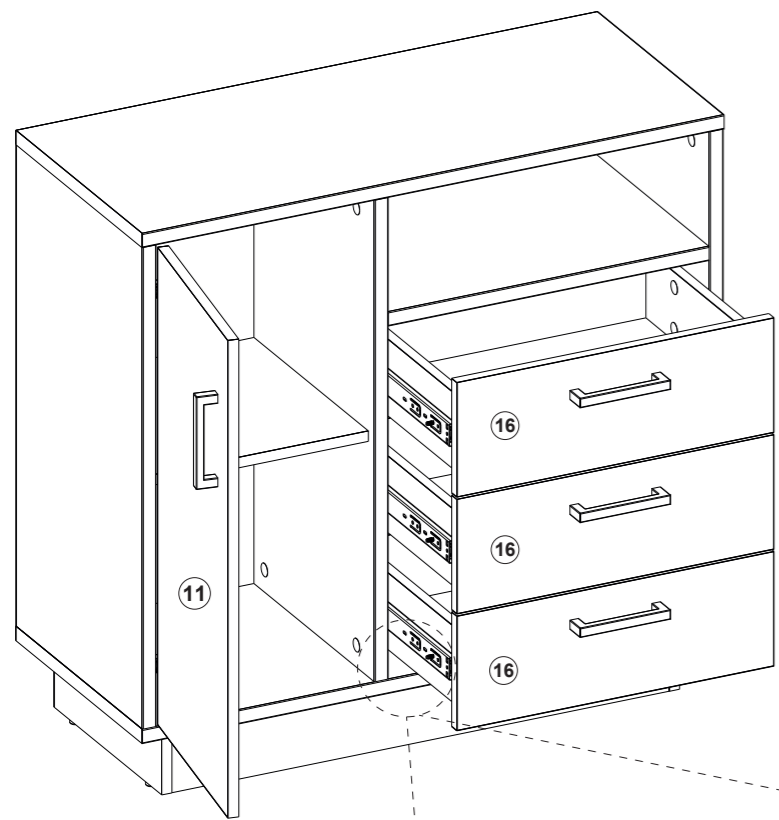
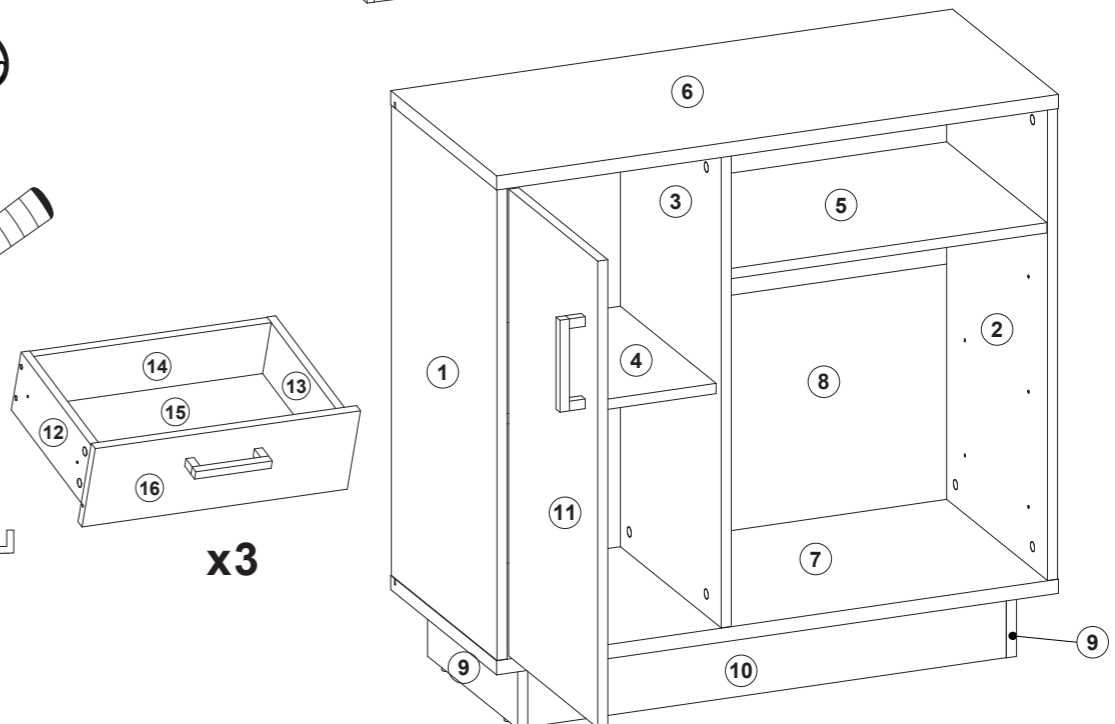
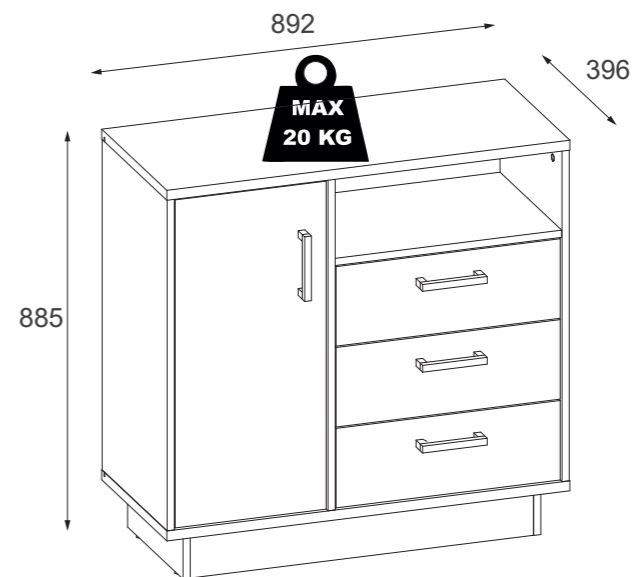
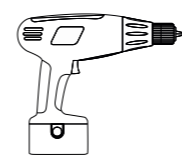
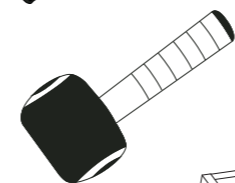
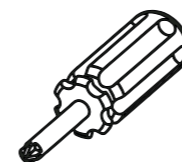
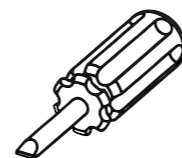


15



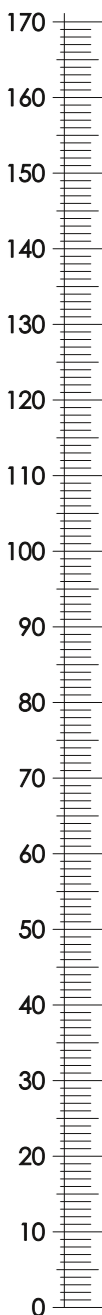
MODELL: CN2



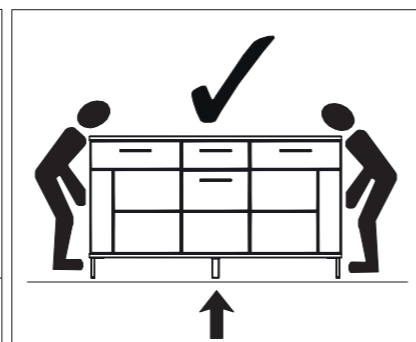
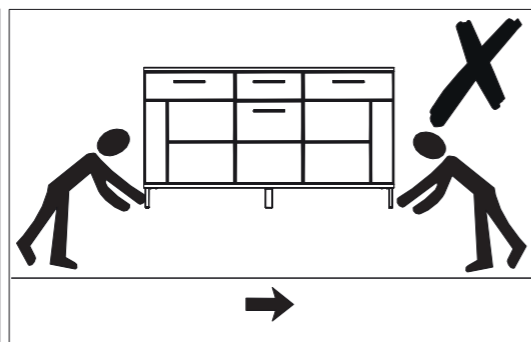
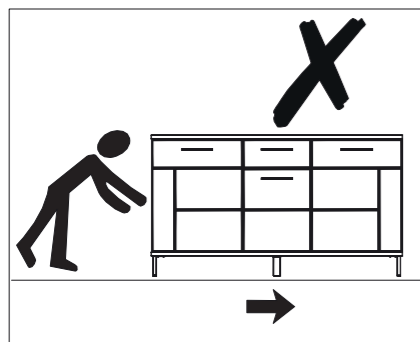
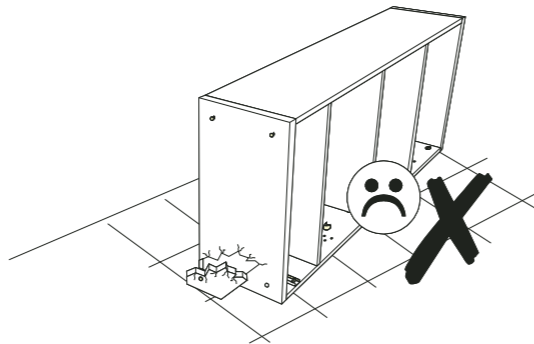
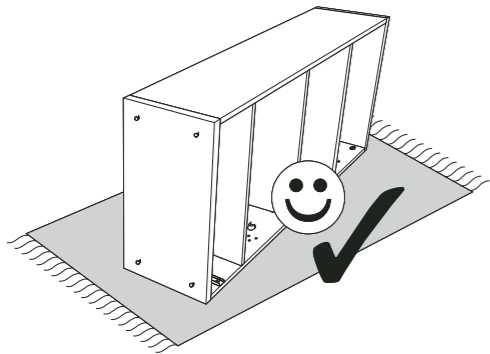
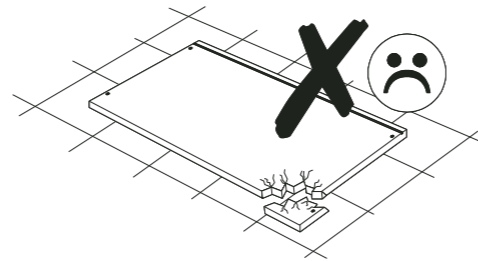
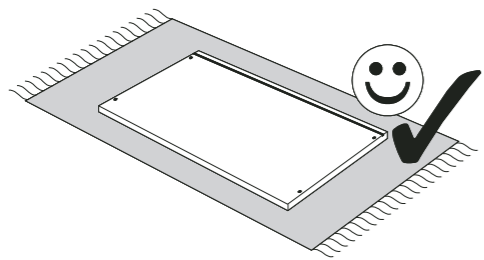
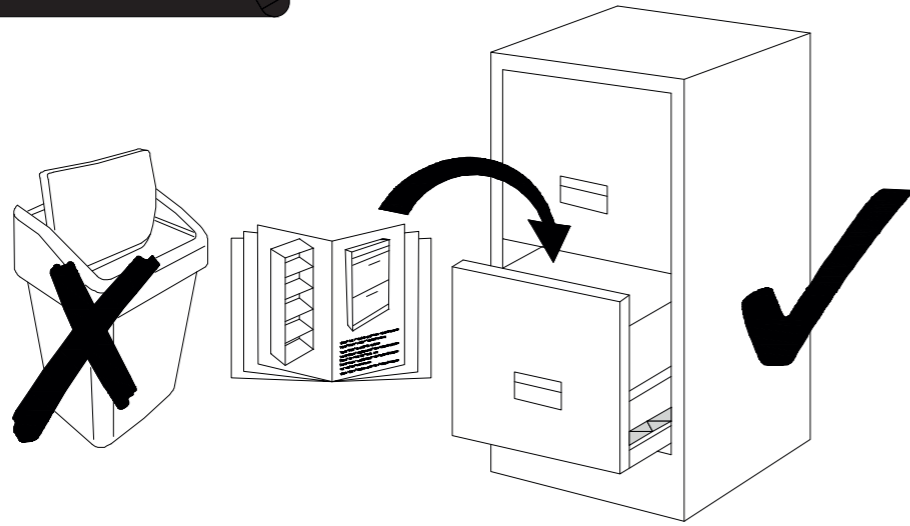
x3

A	B (mm)		C	D
1	732	395	16	x1 1/2
2	732	395	16	x1 1/2
3	732	377	16	x1 2/2
4	340	358	16	x1 1/2
5	502	375	16	x1 1/2
6	892	396	22	x1 2/2
7	832	396	22	x1 2/2
8	874	374	2,5	x1 2/2
9	337	104	16	x2 1/2

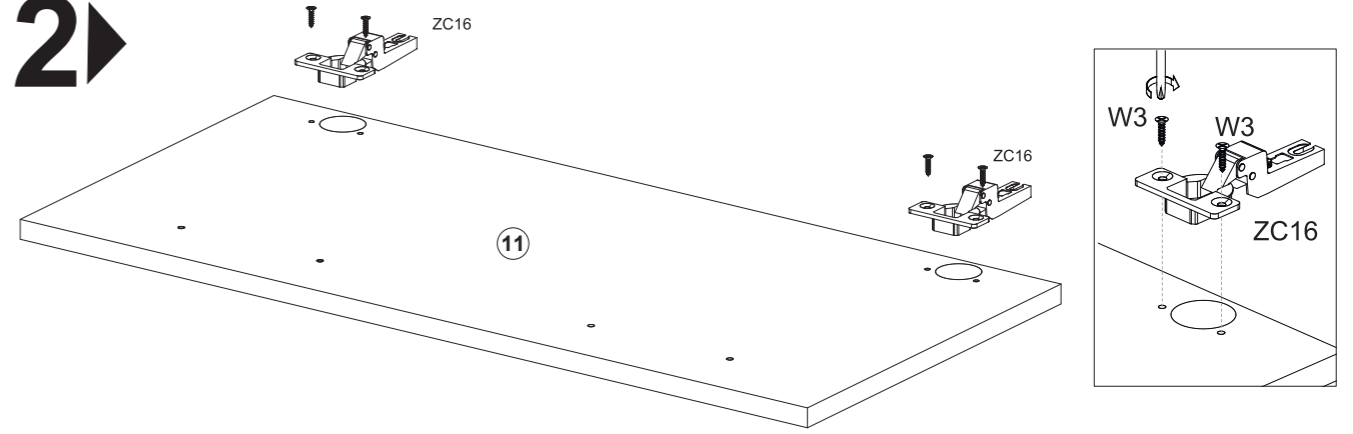
A	B (mm)		C	D
10	760	104	16	x2 2/2
11	350	118	16	x1 1/2
12	350	118	16	x3 1/2
13	1001	400	16	x3 1/2,2/2
14	444	104	16	x3 1/2
15	460	357	2,5	x3 2/2
16	496	176	16	x3 1/2



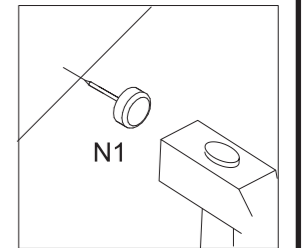
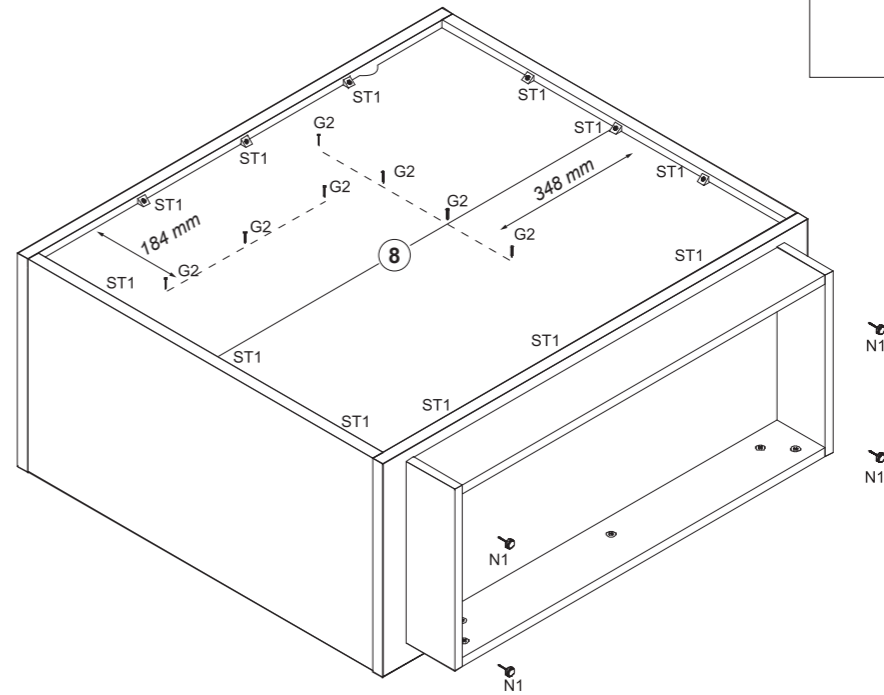
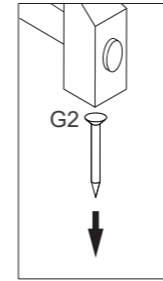
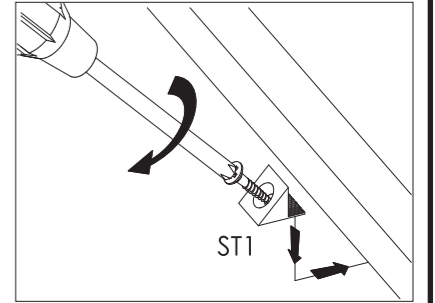
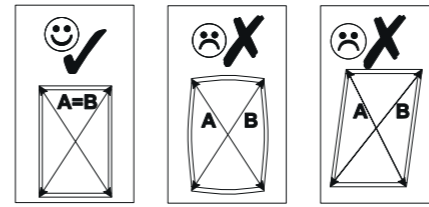
26x #20/871 ZN1	4x 3.5x16 W3	12x ST1	3 kpl. #350 PK3	12x #14/871 ZN2	2x ZC16	2x PRO	4x U1	4x N1
12x 6.4x50 K5	24x 8x30 K1	1x (opcja) LED L1	1x K20	42x #15/15 M1	42x DU232T T1	8x 4x25 WM1	22x 2x20 G2	24x 5x11 E1



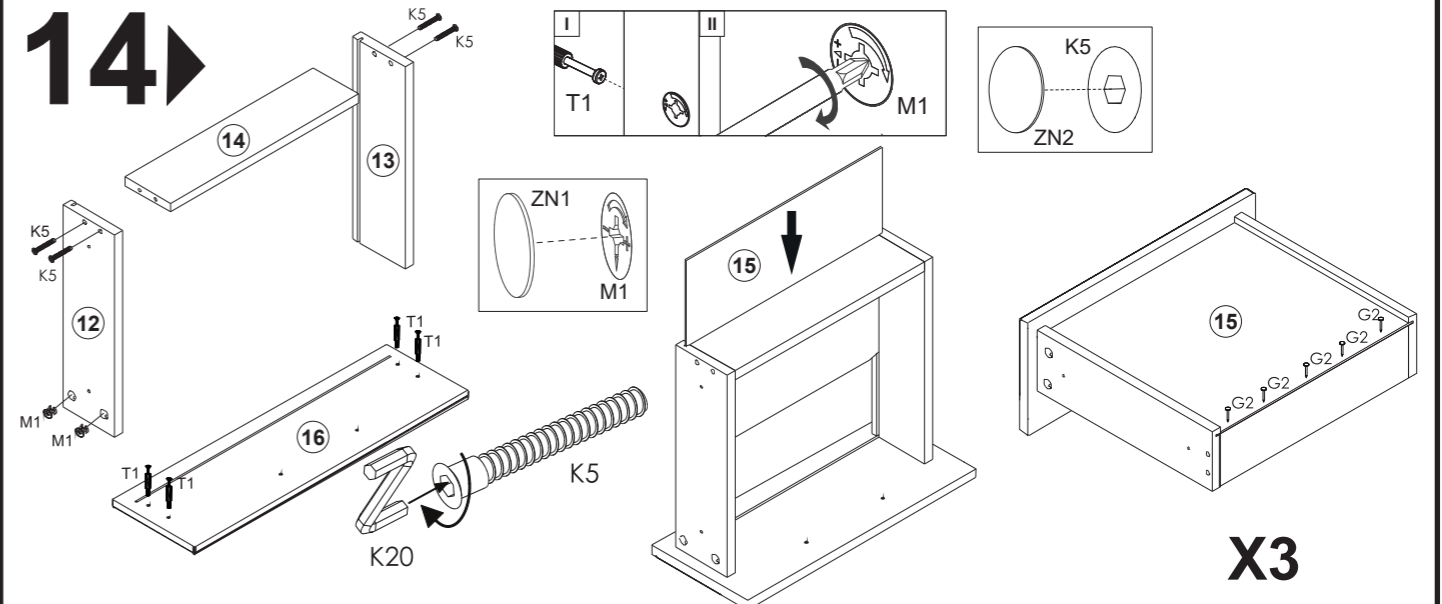
12



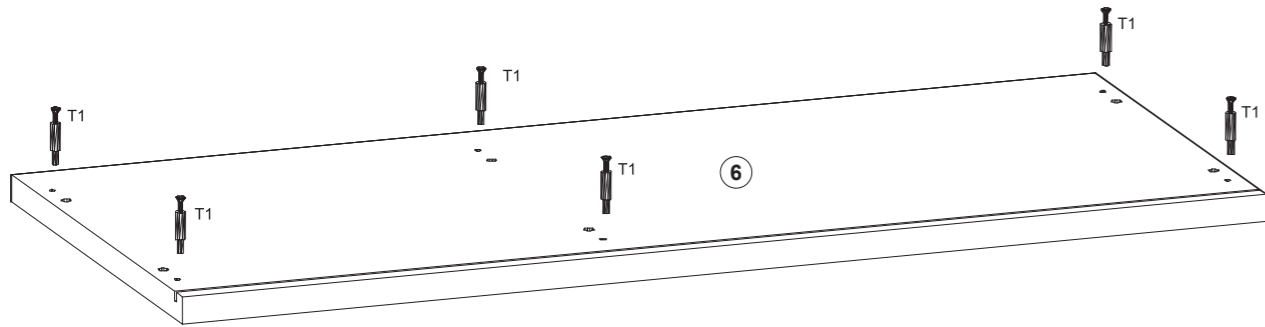
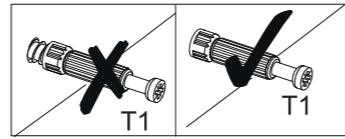
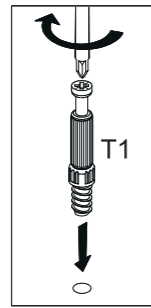
13



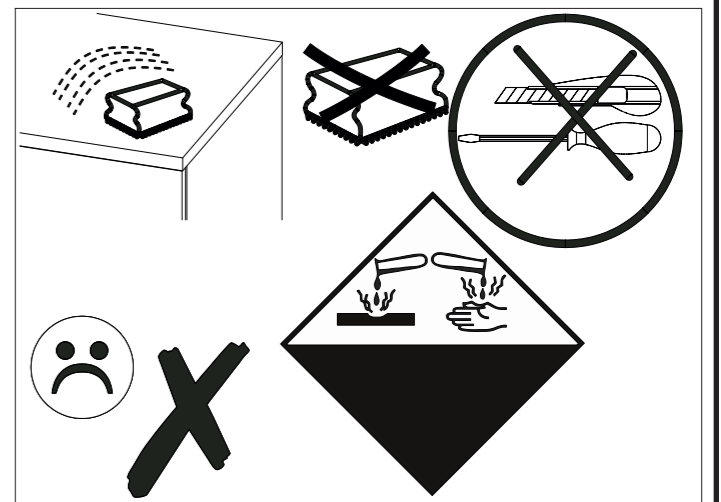
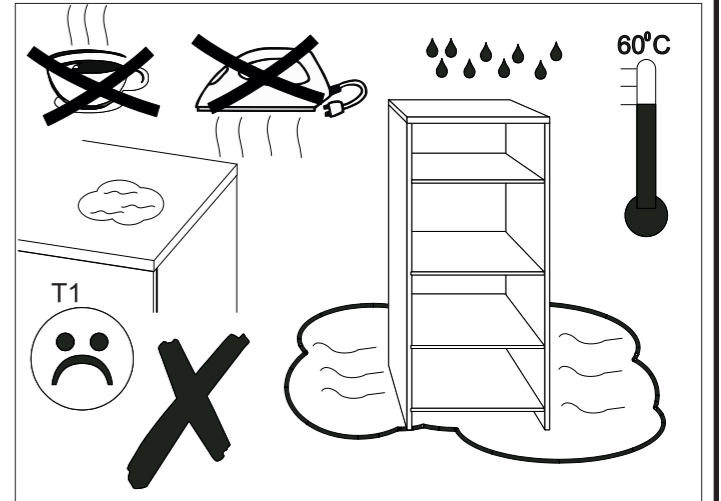
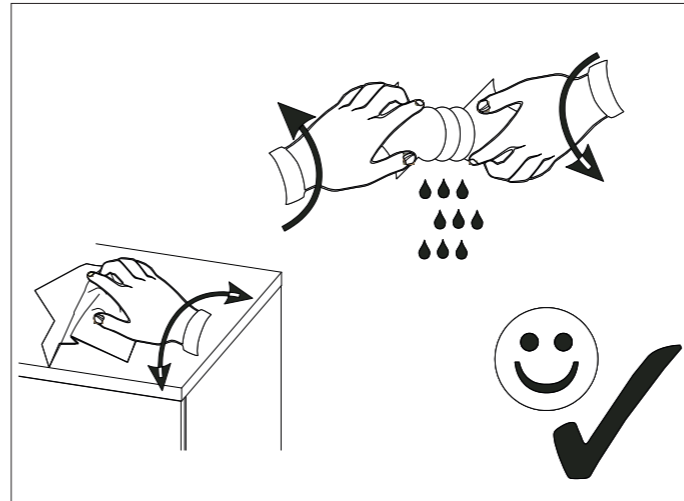
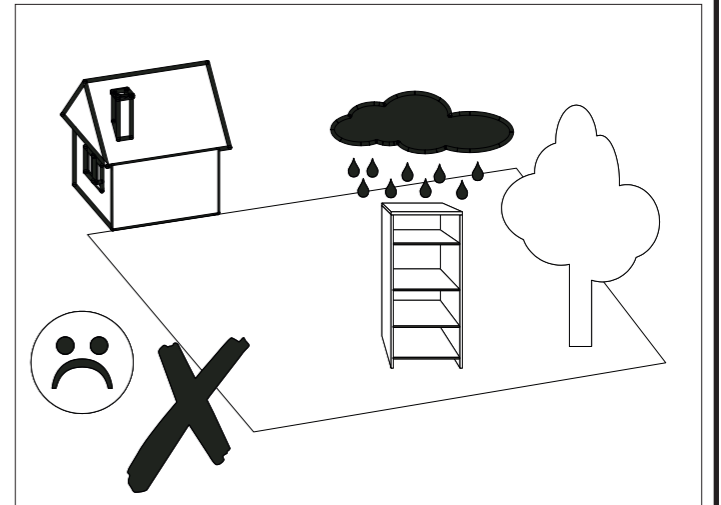
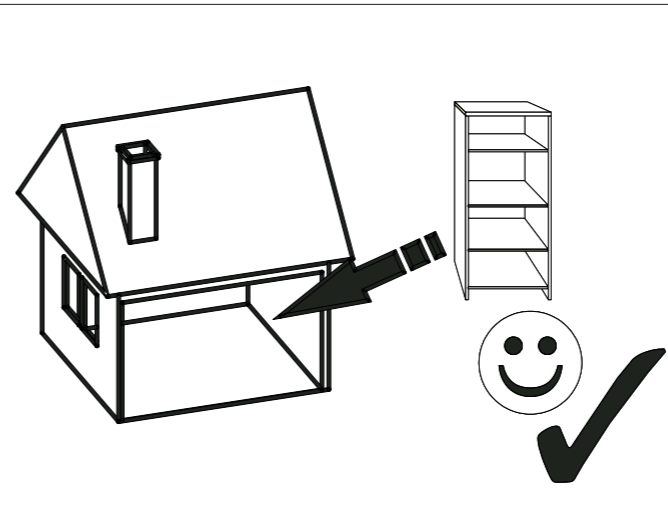
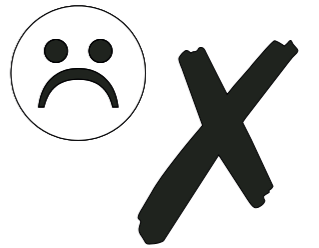
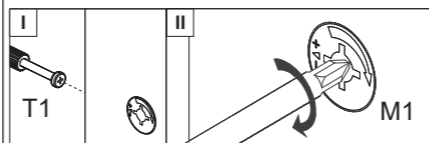
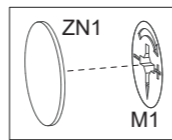
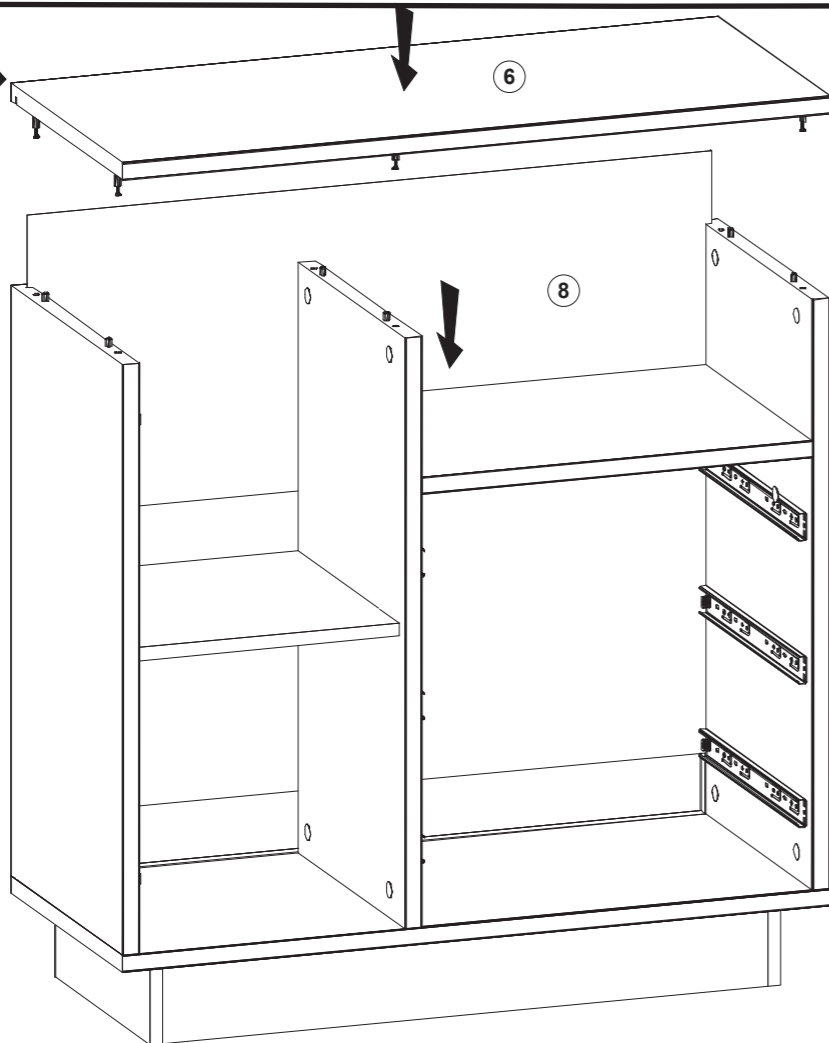
14

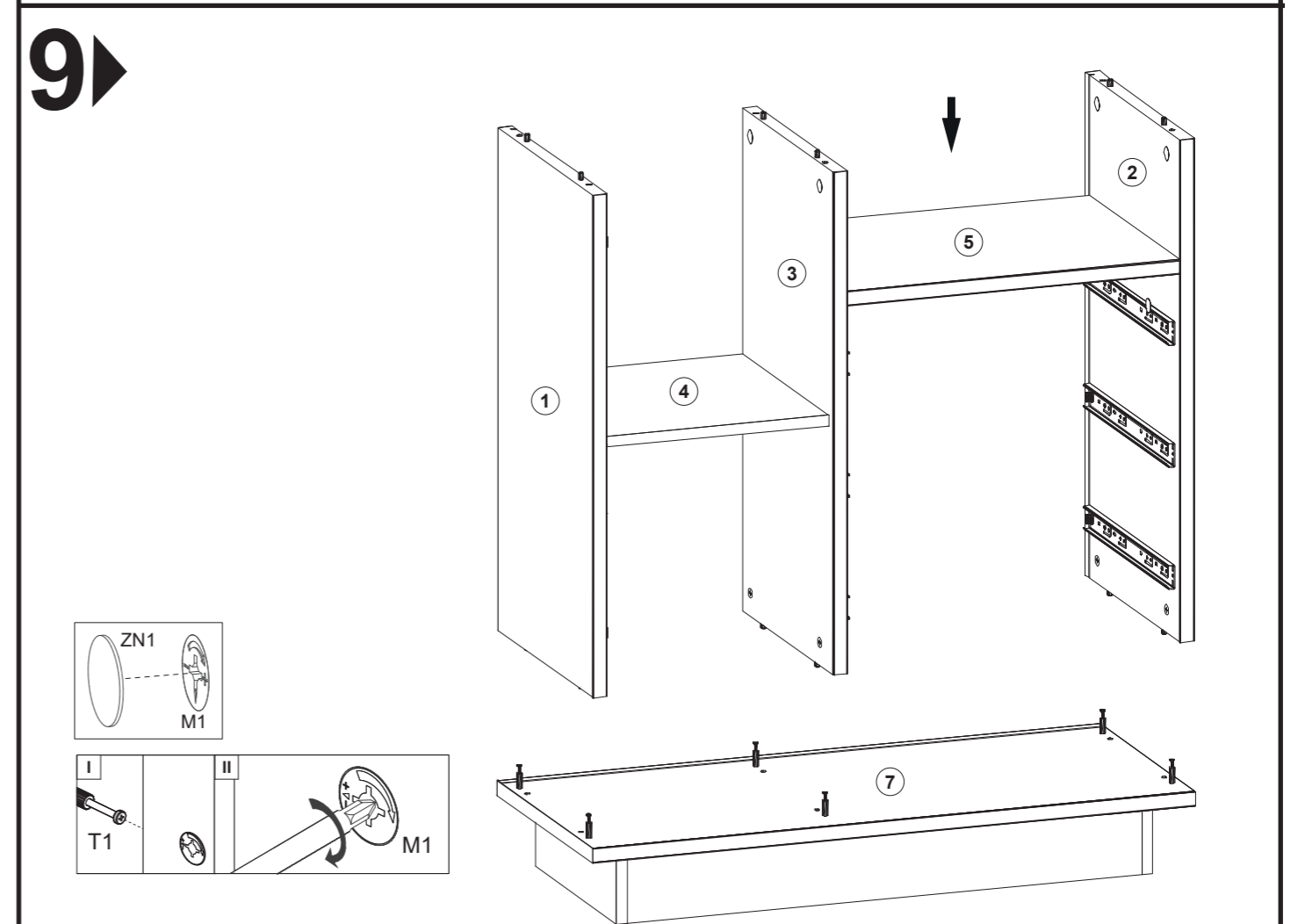
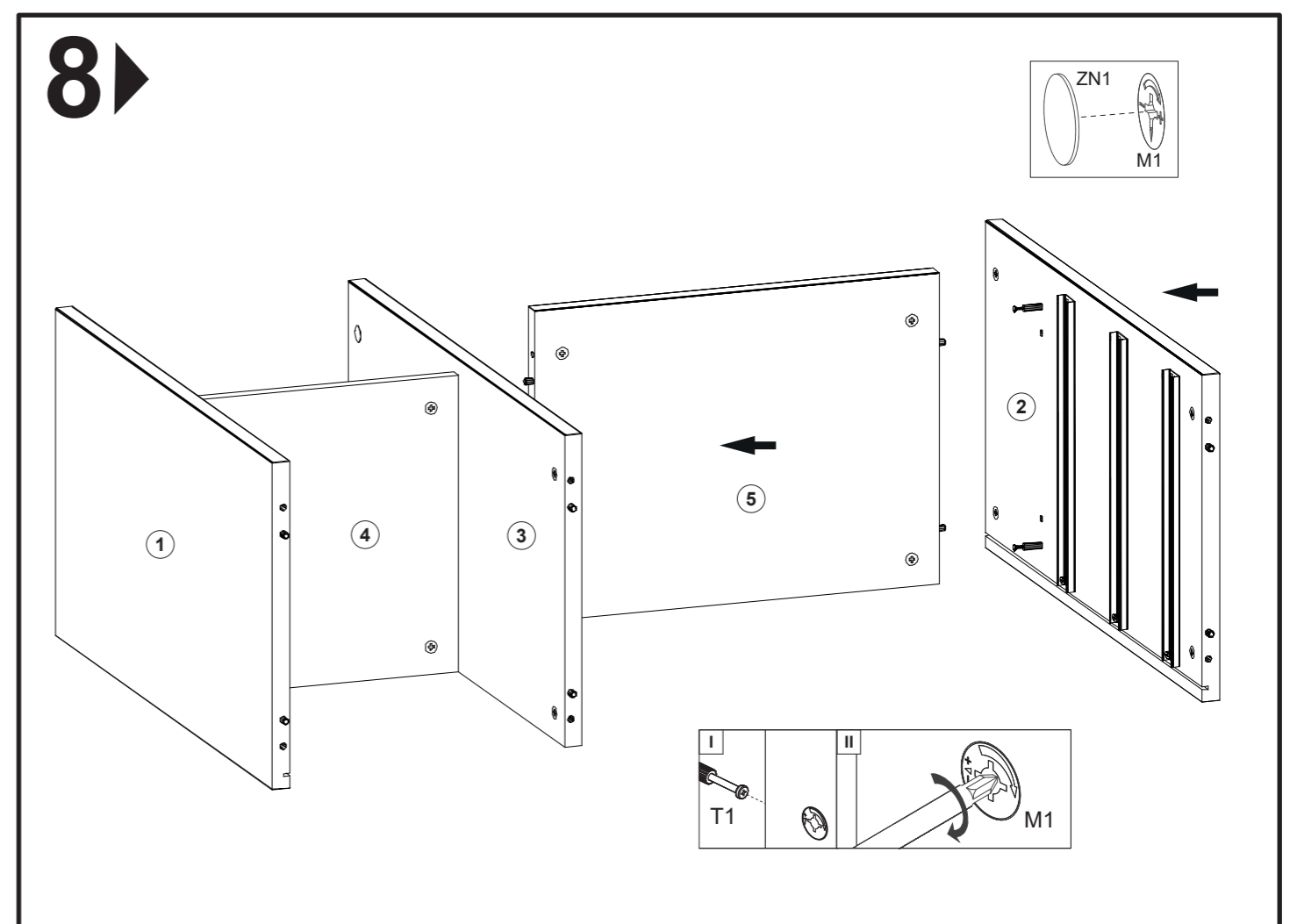
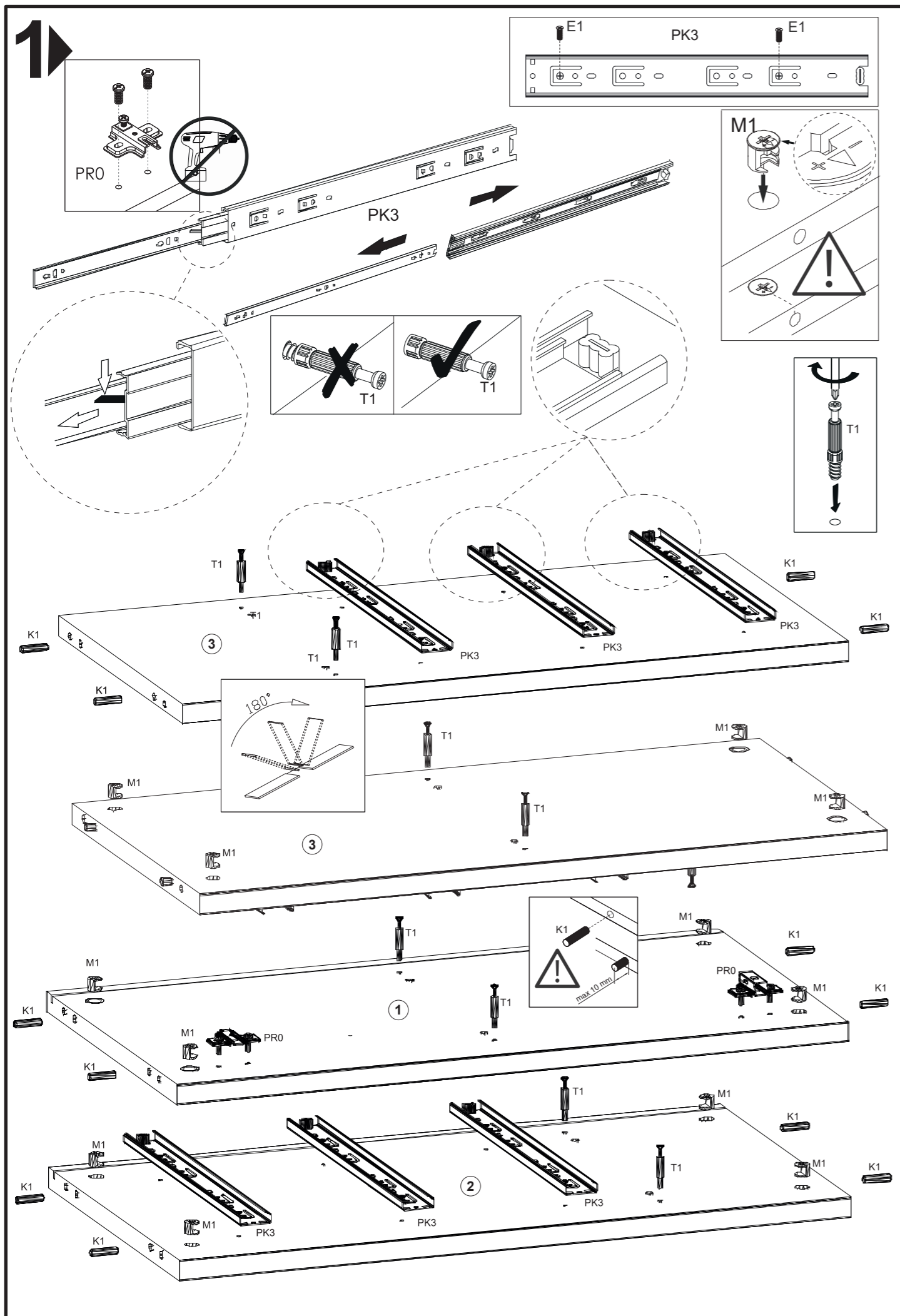


10▶

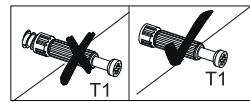
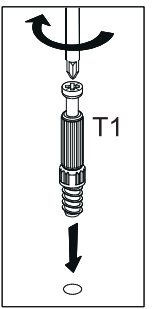
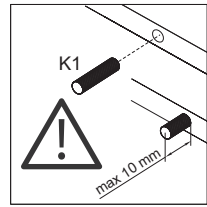
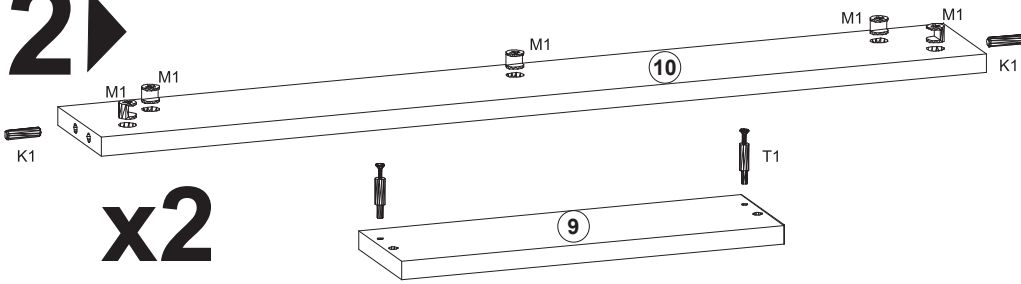


11▶

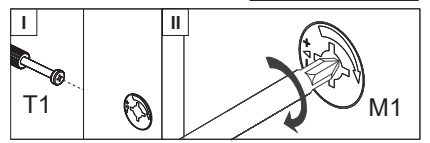
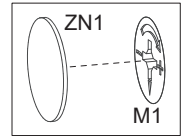
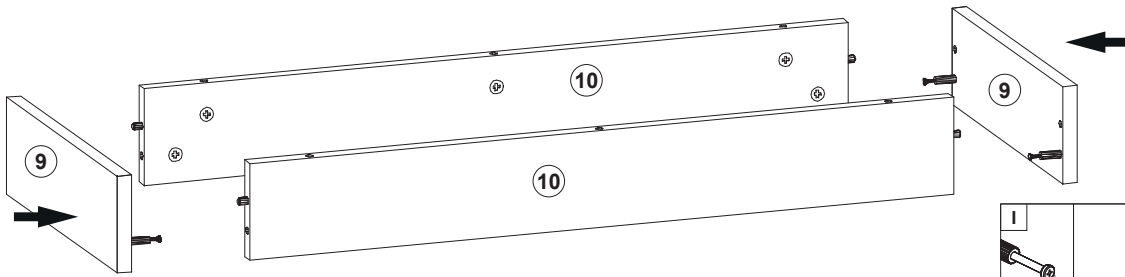




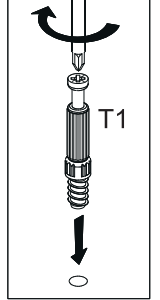
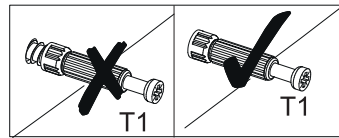
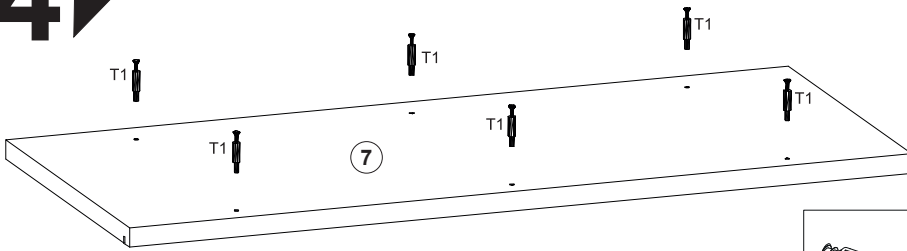
2 ▶



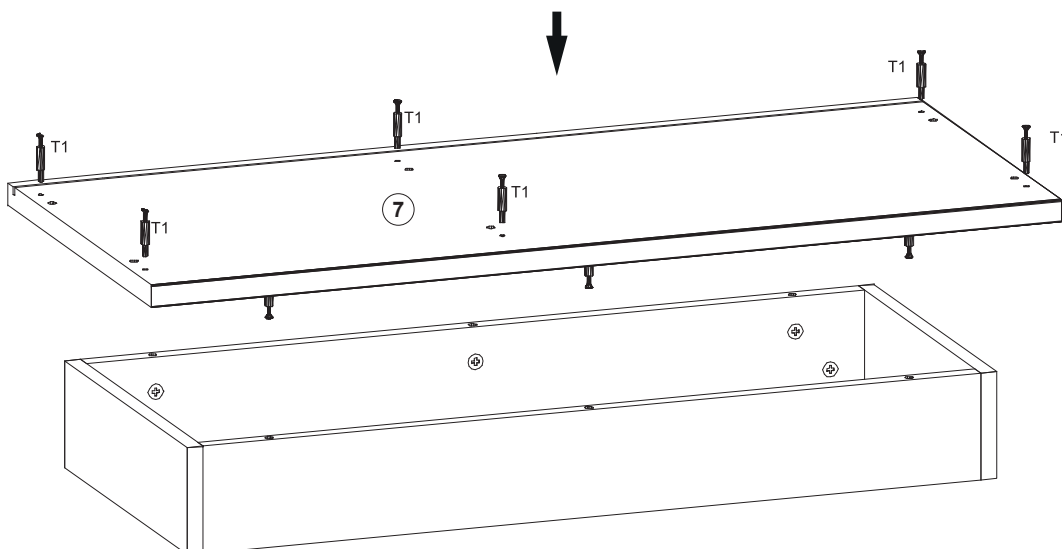
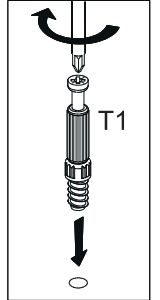
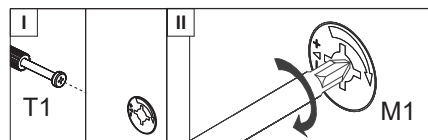
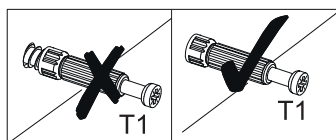
3 ▶



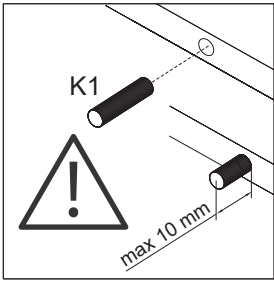
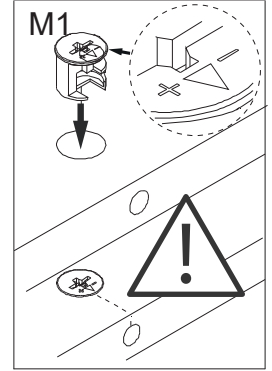
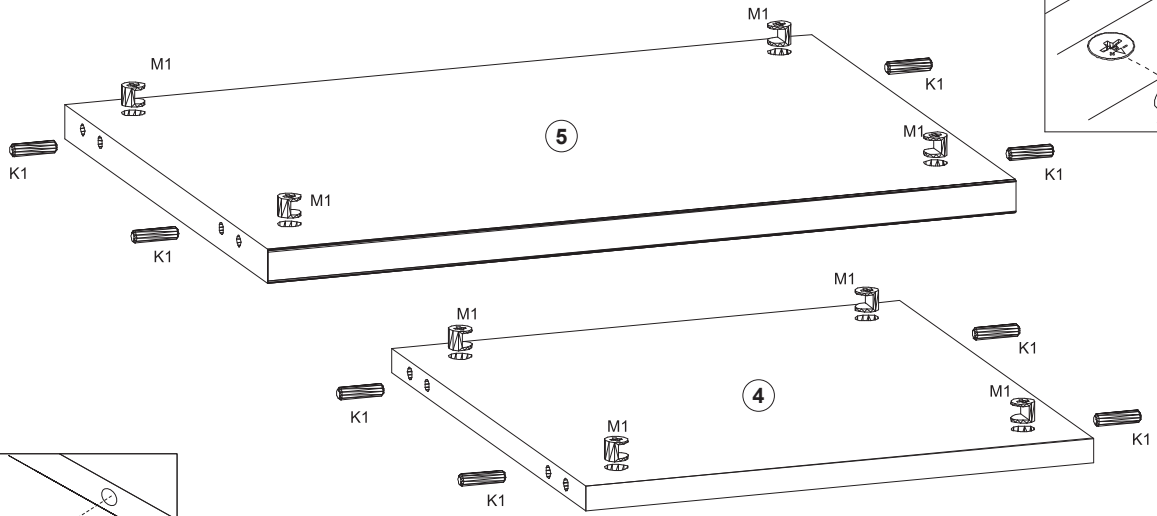
4 ▶



5 ▶



6▶



7▶

